

ZONO™ IGC - Industrial Garment Cart

DISINFECT+ & SANITIZE* IN 38 MINUTES USING THE ZONO™ OZONE CABINET WITH INTEGRATED MOBIL CART SYSTEM

EASE OF USE FEATURES

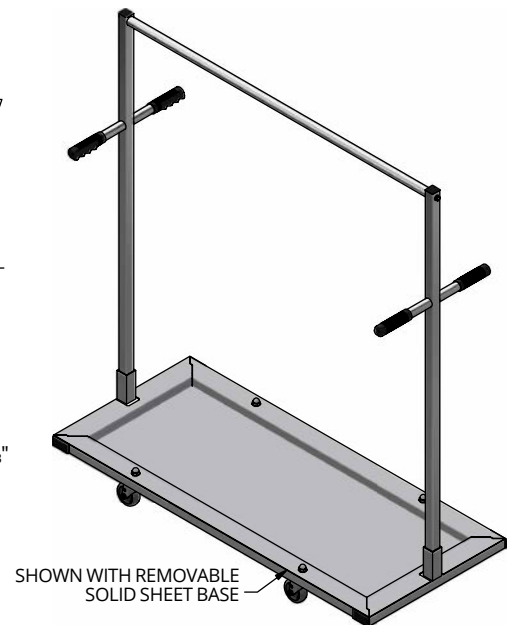
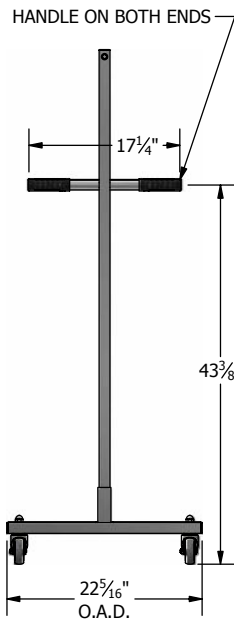
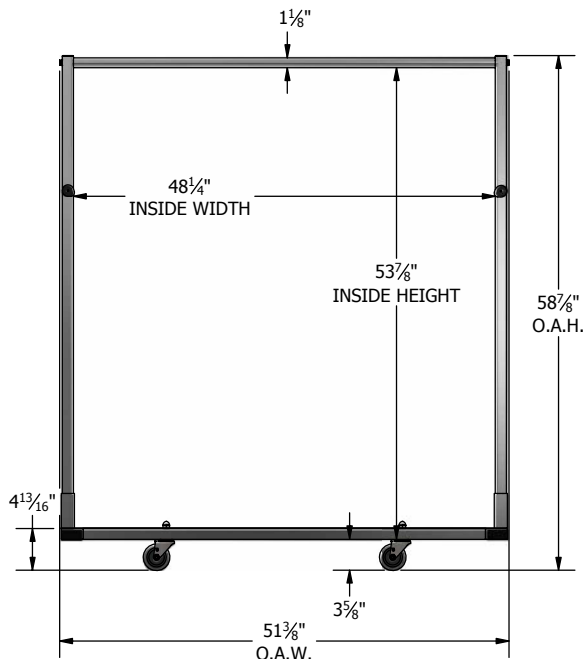
- | | |
|-----------------------|--|
| ERGONOMIC | The Integrated Mobile Cart System alleviates the need for bending and lifting. |
| MOBILE | Rolling carts provide full range of mobility throughout your facility. |
| EFFICIENT | While one set of carts are in use, prepare your next set for the next cycle. |
| PROTECTIVE | Roll sanitized objects back to users. No touching or sorting; prevent re-contamination |
| STORAGE | Use carts as space saving storage when not in use for disinfecting and sanitizing. |
| GUARANTEED | Includes a three-year warranty for parts and labor. |
| SUITABLE ITEMS | Insulated freezer coveralls, protective jump suits, jackets, coats, vests, jersey's, and other garments! |

SPECIFICATIONS

- Dimensions: 58 7/8" H x 22 5/16" W x 51 3/8" D
- Industrial-grade construction
- Material: Aluminum
- Proudly made in the USA in a U.S. EPA registered facility.
- Great for use in Industrial, Commercial, Sports, Fitness and Public Safety.

WHERE IT CAN BE USED

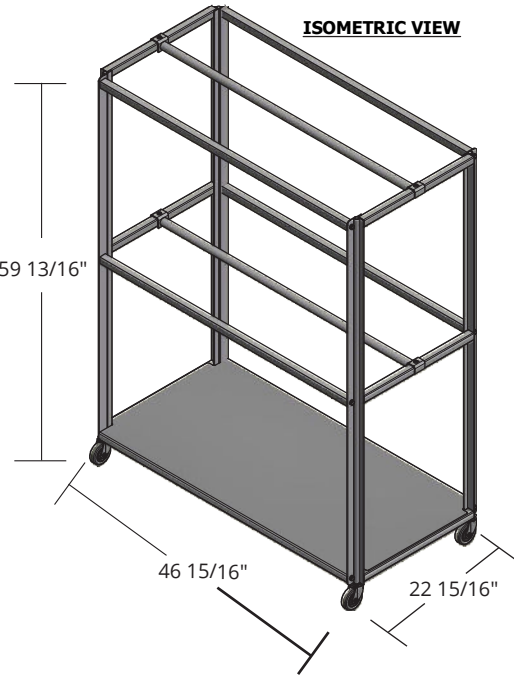
- ZONO™ SC 2** Fits 1 IGC - Industrial Garment Cart
ZONO™ SC 2 DD Fits 2 IGC - Industrial Garment Carts



ZONO™ GC Garment Cart

DISINFECT+ & SANITIZE* IN 38 MINUTES USING THE INTEGRATED MOBILE CART SYSTEM

ISOMETRIC VIEW



EASE OF USE FEATURES

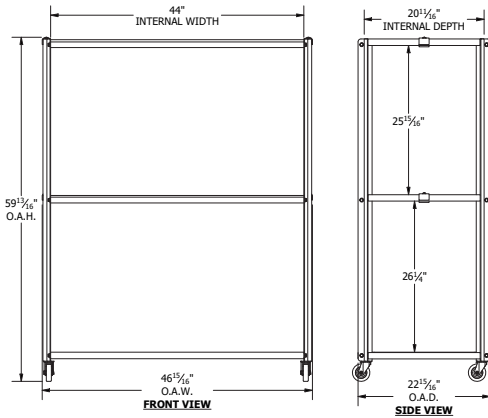
- ERGONOMIC** The Integrated Mobile Cart System alleviates the need for bending and lifting.
- MOBILE** Rolling carts provide full range of mobility throughout your facility.
- EFFICIENT** While one set of carts are in use, prepare your next set for the next cycle.
- PROTECTIVE** Roll sanitized objects back to users. No touching or sorting; prevent re-contamination
- STORAGE** Use carts as space saving storage when not in use for disinfecting and sanitizing.
- GUARANTEED** Includes a three-year warranty for parts and labor.
- SUITABLE ITEMS** Jersey's, jackets, coats, vests, and other garments!

SPECIFICATIONS

- Dimensions: 59 13/16" H x 46 15/16" W x 22 15/16" D
- Material: Aluminum
- Proudly made in the USA in a U.S. EPA registered facility.
- Great for use in Sports, Fitness and Public Safety.

WHERE IT CAN BE USED

- ZONO™ SC 2** Fits 1 GC
- ZONO™ SC 2 DD** Fits 2 GC's



ZONO™ 4S UC 4-Shelf Utility Cart
ZONO™ 4S M UC 4-Shelf Medium Utility Cart
ZONO™ 4S W UC 4-Shelf Wide Utility Cart

DISINFECT+ & SANITIZE* IN 38 MINUTES USING THE INTEGRATED MOBILE CART SYSTEM



EASE OF USE FEATURES

- ERGONOMIC** The Integrated Mobile Cart System alleviates the need for bending and lifting.
- MOBILE** Rolling carts provide full range of mobility throughout your facility.
- EFFICIENT** While one set of carts are in use, prepare your next set for the next cycle.
- PROTECTIVE** Roll sanitized objects back to users. No touching or sorting; prevent re-contamination
- STORAGE** Use carts as space saving storage when not in use for disinfecting and sanitizing.
- GUARANTEED** Includes a three-year warranty for parts and labor.
- SUITABLE ITEMS** Electronics, helmets, books, toys, athletic gear, protective gear and more!

SPECIFICATIONS

- 4S UC Dimensions: 59" H x 18" W x 24" D
- 4S M UC Dimensions: 59" H x 42" W x 24" D
- 4S W UC Dimensions: 59" H x 48" W x 24" D
- Weight: 600 lbs. per shelf evenly distributed.
- 5" casters include support up to 1,320 lbs.
- Material: Durable zinc plated metal with black epoxy coating.
- Commercial-grade construction.
- Easy to assemble
- Adjustable height wire shelves promote airflow.
- Multi-functional use.
- Proudly made in the USA in a U.S. EPA registered facility.

WHERE IT CAN BE USED

- ZONO™ SC 1** Fits 1 4S UC
- ZONO™ SC 2** Fits 2 4S UC's
- ZONO™ SC 2** Fits 1 4S M UC's
- ZONO™ SC 2 DD** Fits 2 4S M UC's
- ZONO™ SC 2** Fits 1 4S W UC
- ZONO™ SC 2 DD** Fits 2 4S W UC's

ZONO™ RR7 7-Bin Cart
ZONO™ RR10 10-Bin Cart

DISINFECT+ & SANITIZE* IN 38 MINUTES USING THE INTEGRATED MOBILE CART SYSTEM



EASE OF USE FEATURES

- ERGONOMIC** The Integrated Mobile Cart System alleviates the need for bending and lifting.
- MOBILE** Rolling carts provide full range of mobility throughout your facility.
- EFFICIENT** While one set of carts are in use, prepare your next set for the next cycle.
- PROTECTIVE** Roll sanitized objects back to users. No touching or sorting; prevent re-contamination
- STORAGE** Use carts as space saving storage when not in use for disinfecting and sanitizing.
- GUARANTEED** Includes a three-year warranty for parts and labor.
- SUITABLE ITEMS** LEGO's, books, blocks, crayons, dolls, electronics and more!

SPECIFICATIONS

- RR7 Dimensions: 51 9/16" H x 24 1/16" W x 22 15/16" D
- RR10 Dimensions: 60 9/16" H x 22 15/16" W x 20 1/16" D
- RR7 Capacity: 7 4" deep bins
- RR10 Capacity: 10 4" deep bins
- Material: Aluminum and polypropylene bins
- Adjustable: Individual bins are removable if additional space is needed.
- Proudly made in the USA in a U.S. EPA registered facility.
- Great for use in Sports and Public Safety.

WHERE IT CAN BE USED

- ZONO™ SC 1** Fits 1 RR7
- ZONO™ SC 2** Fits 2 RR7's
- ZONO™ SC 2 DD** Fits 4 RR7's
- ZONO™ SC 1** Fits 1 RR10
- ZONO™ SC 2** Fits 2 RR10's
- ZONO™ SC 2 DD** Fits 4 RR10's

ACCESSORIES

4" deep bins are open at the top and vented on sides and bottom.

