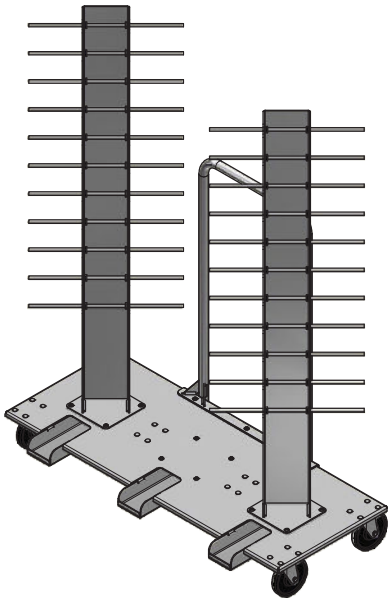


ZONO™ PC 2M 22 Pad Cart 2 Mats for 22 Pads

DISINFECT* & SANITIZE* IN 38 MINUTES USING THE INTEGRATED MOBILE CART SYSTEM



EASE OF USE FEATURES

- | | |
|-----------------------|--|
| ERGONOMIC | The Integrated Mobile Cart System alleviates the need for bending and lifting. |
| MOBILE | Rolling carts provide full range of mobility throughout your facility. |
| EFFICIENT | While one set of carts are in use, prepare your next set for the next cycle. |
| PROTECTIVE | Roll sanitized objects back to users. No touching or sorting; prevent re-contamination |
| STORAGE | Use carts as space saving storage when not in use for disinfecting and sanitizing. |
| GUARANTEED | Includes a three-year warranty for parts and labor. |
| SUITABLE ITEMS | Shoulder pads! |

SPECIFICATIONS

- Dimensions: 61 7/8" H x 45" W x 21 7/16" D
- Capacity: 22 pads
- Material: Aluminum
- Proudly made in the USA in a U.S. EPA registered facility.
- Great for use in Sports and Public Safety.

WHERE IT CAN BE USED

- ZONO™ SC 2** Fits 1 PC 2M 22
ZONO™ SC 2 DD Fits 2 PC 2M 22's

OPTIONAL ACCESSORIES

HM Helmet Mast - For football, a middle mast can be ordered as an option to nest between each existing pad mast and hold up to 18 helmets.

