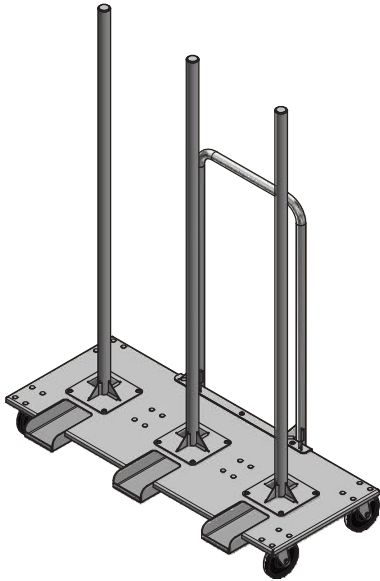


# ZONO™ HC 3M 48 Helmet Cart 3 Mats for 48 Helmets

**DISINFECT\* & SANITIZE\* IN 38 MINUTES USING THE INTEGRATED MOBILE CART SYSTEM**



## EASE OF USE FEATURES

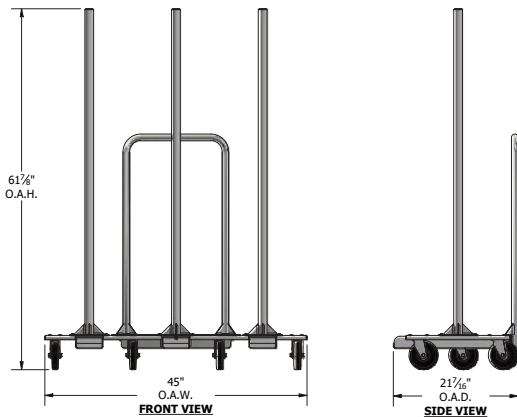
- ERGONOMIC** The Integrated Mobile Cart System alleviates the need for bending and lifting.
- MOBILE** Rolling carts provide full range of mobility throughout your facility.
- EFFICIENT** While one set of carts are in use, prepare your next set for the next cycle.
- PROTECTIVE** Roll sanitized objects back to users. No touching or sorting; prevent re-contamination
- STORAGE** Use carts as space saving storage when not in use for disinfecting and sanitizing.
- GUARANTEED** Includes a three-year warranty for parts and labor.
- SUITABLE ITEMS** Football helmets, hard hats, bicycle helmets, motorcycle helmets, hockey helmets and other more!

## SPECIFICATIONS

- Dimensions: 61 7/8" H x 45" W x 21 7/16" D
- Capacity: 48 helmets
- Material: Aluminum
- Proudly made in the USA in a U.S. EPA registered facility.
- Great for use in Sports and Public Safety.

## WHERE IT CAN BE USED

- ZONO™ SC 2** Fits 1 HC 3M 48
- ZONO™ SC 2 DD** Fits 2 HC 3M 48's



61 7/8"  
O.A.H.

45"  
O.A.W.  
FRONT VIEW

21 7/16"  
O.A.D.  
SIDE VIEW