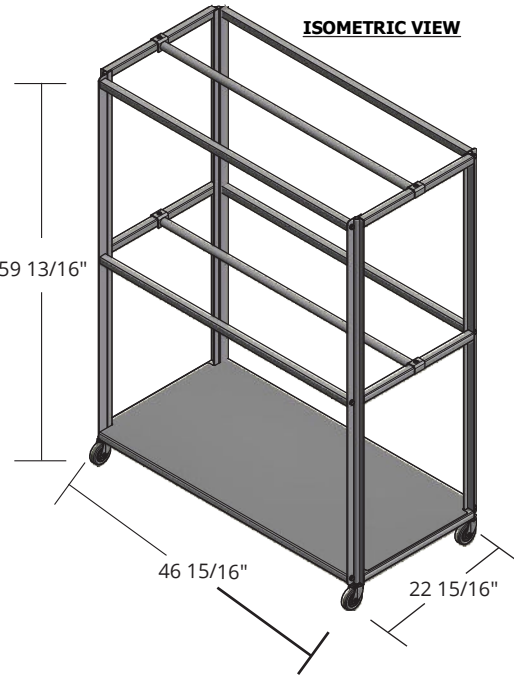


ZONO™ GC Garment Cart

DISINFECT+ & SANITIZE* IN 38 MINUTES USING THE INTEGRATED MOBILE CART SYSTEM

ISOMETRIC VIEW



EASE OF USE FEATURES

- ERGONOMIC** The Integrated Mobile Cart System alleviates the need for bending and lifting.
- MOBILE** Rolling carts provide full range of mobility throughout your facility.
- EFFICIENT** While one set of carts are in use, prepare your next set for the next cycle.
- PROTECTIVE** Roll sanitized objects back to users. No touching or sorting; prevent re-contamination
- STORAGE** Use carts as space saving storage when not in use for disinfecting and sanitizing.
- GUARANTEED** Includes a three-year warranty for parts and labor.
- SUITABLE ITEMS** Jersey's, jackets, coats, vests, and other garments!

SPECIFICATIONS

- Dimensions: 59 13/16" H x 46 15/16" W x 22 15/16" D
- Material: Aluminum
- Proudly made in the USA in a U.S. EPA registered facility.
- Great for use in Sports, Fitness and Public Safety.

WHERE IT CAN BE USED

- ZONO™ SC 2** Fits 1 GC
- ZONO™ SC 2 DD** Fits 2 GC's

